

Complete Range of Fire Protection



WHEN FIRE DISOBEYS

LIFEGUARD
FIRE PROTECTION EQUIPMENTS

Profile

The MISSION is to expand and continually improve utilizing quality practices and employee involvement to manufacture Fire Fighting products.

It maintains a superior level of integrity in interactions with business partners and associates. It appreciates its achieved success and conducts its business as Model Corporate citizen group.

The VISION is simply maintaining itself to be "THE COUNTRY'S PREMIER FIRE FIGHTING EQUIPMENT MANUFACTURER COMPANY."

Being the premier company doesn't mean being the biggest but it means being best in terms of Consumer Value, Customer Service, Employee talent and Consistent & predictable growth.

It is one of the leading manufacturers of ISI marked Fire Fighting Equipments in the Indian market under the brand name of **LIFEGUARD**. It has always focused on new product development and product performance improvement, researches and produces a series of fire fighting & Safety products with excellent properties and reliable quality. Its latest achievement includes development of one of its kind indigenously manufactured product **LIFEGUARD** "LUX-BOT"- Portable Mast Pole Flood Lights (LG-612), **LIFEGUARD** ACTOK STICKER & CORD which is developed by the process of encapsulation using Nano technology that releases fire suppression gas when ignited and release fire retardant gas in case of fire, **LIFEGUARD** WSM (Weight Surveillance Module) which allows continuous monitoring of gas of the cylinders installed and alarm it with **LIFEGUARD** Audio Visual Alarm in case of more than 10% loss of weight of gas cylinder as per the NFPA standard.

It got its first BIS license in 1998, and since then it has been constantly putting its efforts to improve, maintain and uphold its fire fighting equipment range. Mentioning about experience, it is like the third generation getting introduced to the Fire Safety Industry. Though its manufacturing plant was started 2.5 decades back but it has been serving the Fire Department and Fire & Safety Industry, for over 3.5 decades. Since then, it has been able to team up well qualified and experienced personnel, which mark the existence and growth of any organisation. It has a network of well settled and flourished dealers all over the country which helps to market the products to the remote areas and has always helped to maintain goodwill in the market.

The Commitment, support and services have always allowed the company to retain its prestigious clients, dealers and suppliers from the very beginning.

The company believes in:-

"What we say is Commitment"

"What we say is Quality"

"What we produce is **LIFEGUARD**"

Approvals:

- | | | | |
|------------------|------------------|-----------------|--------------|
| 1. BIS Approvals | 4. DGQA Approval | 7. LIC & BANKS | 10. CIDCO |
| 2. CE Approval | 5. CPWD Approval | 8. NBCC Limited | 11. DDA |
| 3. EIL Approval | 6. IRS Approval | 9. ERTL | 12. Railways |

Company offers

- Powder Portable/Wheeled Fire Extinguisher
- Carbon Dioxide Portable/Wheeled Fire Extinguisher
- Water/Foam Portable/Wheeled Fire Extinguisher
- Clean Agent Fire Extinguisher
- Landing Valves
- Fire Hose Delivery Coupling
- Branch Pipe & Nozzle
- First-aid Hose Reel
- Fire Hose
- Self Triggered Stand Alone Type Fire Extinguisher
- Kitchen Fire Extinguisher
- Mobile Foam Unit
- Water/Foam Monitor
- Hose Cabinets Doors & Boxes
- Fire Buckets
- Fire Proof Coatings for PASSIVE FIRE PROTECTION
- Fire Suppression Stickers / Chords
- System Integrations :
 - FM 200 / Novec / Co₂ Suppression System
 - Kitchen Hood Fire Extinguishing System
 - Tube based Suppression System
 - Fire Detection & Alarm System



**Powder Portable Fire Extinguisher
(Stored Pressure/Gas Cartridge Type)**

IS-15683



CM/L-8633079



LG-224
(2A, 89B, C)

LG-226
(3A, 144B, C)

LG-229
(4A, 233B, C)



LG-121
(1A, 21B, C)

LG-122
(1A, 34B, C)



LG-124
(2A, 89B, C)



LG-126
(3A, 144B, C)



LG-129
(4A, 233B, C)

Technical Specification

MODEL	LG-121	LG-122	LG-124/224	LG-126/226	LG-129/229
Capacity (Kg)	1	2	4	6	9
Anti-Corrosive Inhibitor	Epoxy Polyester Powder Coating	Epoxy Polyester Powder Coating	Epoxy Polyester Powder Coating	Epoxy Polyester Powder Coating	Epoxy Polyester Powder Coating
Confirming IS Code	15683	15683	15683	15683	15683
Type of Extinguisher	Constant Pressure	Constant Pressure	Constant Pressure/Gas Cartridge	Constant Pressure/Gas Cartridge	Constant Pressure/Gas Cartridge
Type of Extinguishing Media	Dry Powder IS 14609/IS 4308	Dry Powder IS 14609/IS 4308	Dry Powder IS 14609/IS 4308	Dry Powder IS 14609/IS 4308	Dry Powder IS 14609/IS 4308
Expellant	Pressurized with N ₂ gas	Pressurized with N ₂ gas	Pressurized with N ₂ gas/ 90gm/120gm Gas Cartridge	Pressurized with N ₂ gas/ 120gm Gas Cartridge	Pressurized with N ₂ gas/ 200gm Gas Cartridge
Minimum Effective Discharge (%)	85	85	85	85	85
Minimum Jet Length (mtrs.)	More than 2 mtr.	More than 2 mtr.	More than 2 mtr.	More than 2 mtr.	More than 2 mtr.
Discharge Time (Sec.)	More than 8 sec.	More than 13 Sec.	More than 13 Sec.	More than 13 Sec.	More than 13 Sec.
Hydraulic Test Pressure (kgf/cm ²)	35	35	35	35	35
Operating Position	Upright	Upright	Upright	Upright	Upright
Charged Pressure (kgf/cm ²)	15	15	15	15	15
Operating Temperature Range(°C)	(-)30 to (+)60	(-)30 to (+)60	(-)30 to (+)60	(-)30 to (+)60	(-)30 to (+)60
Operating Valve	Squeeze Grip Type with Nozzle	Squeeze Grip Type with Nozzle	Squeeze Grip Type with Discharge hose and Nozzle	Squeeze Grip Type with Discharge hose and Nozzle	Squeeze Grip Type with Discharge hose and Nozzle
Fire Rating	1A, 21B, C	1A, 34B, C	2A, 89B, C	3A, 144B, C	4A, 233B, C

Also Available in Stainless Steel Body

Also available in MAP 90% & UL Listed

Application :-

Class A Fire : Wood, Textiles, Paper, Plastic, Cloths, Cotton Mill, Jute Mill etc.

Class B Fire : Petroleum, Oil, Diesel, Paint, Varnish, Solvent, Aviation Fuel, Flammable and Volatile Liquids etc..

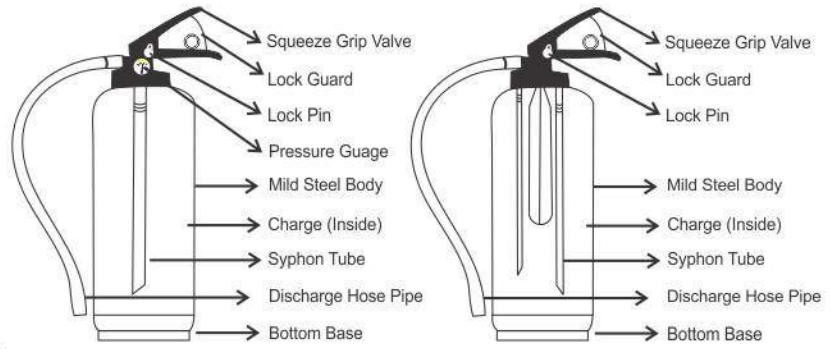
Class C Fire : Flammable Gasses, Live Electrical Equipments, Industrial Gases, Electrical Installation etc..

Note : Fire Rating for Class A is not applicable for Fire Extinguishers with BC Dry Powder .

WATER/FOAM
Portable Fire Extinguisher
(Stored Pressure/Gas Cartridge Type)

IS-15683

CM/L-8633079



LG-106/ LG-116
(2A/ 2A, 21B)

LG-209/ LG-219
(3A/ 4A, 144B)

LG-216/ LG-206
(2A, 21B/ 2A)

LG-119/ LG-109
(4A, 144B/ 3A)

Technical Specification

MODEL	WATER		FOAM	
	LG-106/206	LG-109/209	LG-116/216	LG-119/219
Capacity (Ltr.)	6	9	6	9
Anti-Corrosive Inhibitor	Epoxy Polyester Powder Coating	Epoxy Polyester Powder Coating	Epoxy Polyester Powder Coating	Epoxy Polyester Powder Coating
Confirming IS Code	15683	15683	15683	15683
Type of Extinguisher	Constant Pressure/Gas Cartridge	Constant Pressure/Gas Cartridge	Constant Pressure/Gas Cartridge	Constant Pressure/Gas Cartridge
Type of Extinguishing Media	Soft Water	Soft Water	Water & AFFF IS 4989	Water & AFFF IS 4989
Expellant	Pressurized with N ₂ gas/ 60gm Gas Cartridge	Pressurized with N ₂ gas/ 90gm/120gm Gas Cartridge	Pressurized with N ₂ gas/ 60gm Gas Cartridge	Pressurized with N ₂ gas/ 90gm/120gm Gas Cartridge
Minimum Effective Discharge (%)	95	95	95	95
Minimum Jet Length (mtrs.)	More than 2 mtr.	More than 2 mtr.	More than 2 mtr.	More than 2 mtr.
Discharge Time (Sec.)	More than 13 sec.	More than 13 Sec.	More than 13 Sec.	More than 13 Sec.
Hydraulic Test Pressure (kgf/cm ²)	35	35	35	35
Operating Position	Upright	Upright	Upright	Upright
Charged Pressure (kgf/cm ²)	15	15	15	15
Operating Temperature Range(°C)	(+)5 to (+)60	(+)5 to (+)60	(+)5 to (+)60	(+)5 to (+)60
Operating Valve	Squeeze Grip Type with Discharge hose and Nozzle	Squeeze Grip Type with Discharge hose and Nozzle	Squeeze Grip Type with Discharge hose and Nozzle	Squeeze Grip Type with Discharge hose and Nozzle
Fire Rating	2A	3A	2A, 21B	4A, 144B

Also Available in Stainless Steel Body

Application :-

Class A Fire : Wood, Textiles, Paper, Plastic, Cloths, Cotton Mill, Jute Mill etc.

Class B Fire : Petroleum, Oil, Diesel, Paint, Varnish, Solvent, Aviation Fuel, Flammable and Volatile Liquids etc..

Caution : Do not use on Electrical Fire.

Clean Agent Fire Extinguisher



IS-15683
CM/L-8633079

LG-142
(1A, 21B, C)

LG-144
(1A, 34B, C)

LG-146
(2A, 55B, C)

Technical Specification

MODEL	LG-142	LG-144	LG-146
Capacity (Kg)	2	4	6
Anti-Corrosive Inhibitor	Epoxy Polyester Powder Coating	Epoxy Polyester Powder Coating	Epoxy Polyester Powder Coating
Confirming IS Code	15683	15683	15683
Type of Extinguisher	Constant Pressure	Constant Pressure	Constant Pressure
Type of Extinguishing Media	HFC 236 fa	HFC 236 fa	HFC 236 fa
Expellant	Pressurized with N ₂ gas	Pressurized with N ₂ gas	Pressurized with N ₂ gas
Minimum Effective Discharge (%)	95	95	95
Minimum Jet Length (mtrs.)	More than 2 mtr.	More than 2 mtr.	More than 2 mtr.
Discharge Time (Sec.)	More than 13 Sec.	More than 13 Sec.	More than 13 Sec.
Hydraulic Test Pressure (kgf/cm ²)	35	35	35
Operating Position	Upright	Upright	Upright
Charged Pressure (kgf/cm ²)	18	18	18
Operating Temperature Range(°C)	(-)30 to (+)60	(-)30 to (+)60	(-)30 to (+)60
Operating Valve	Squeeze Grip Type with Nozzle	Squeeze Grip Type with Discharge hose and Nozzle	Squeeze Grip Type with Discharge hose and Nozzle
Fire Rating	1A, 21B, C	1A, 34B, C	2A, 55B, C

Also Available in Stainless Steel Body

The extinguisher agent in **LIFEGUARD** Clean Agent Fire Extinguisher is HFC 236 fa, HEXAFLUOROPROPANE which is electrically non conductive, non- corrosive, environmental friendly and free from residue & hence is a best replacement of HALON 1211.

Fire Extinguisher agent stored in **LIFEGUARD** Clean Agent Fire Extinguisher is in liquid form & when comes in contact with air turns in to gas form. It is effective on class A, B & C fires & it.

AN EXTINGUISHER THAT DOES NOT LEAVE ANY TRAIL AFTER PERFORMING ITS DUTY

Kitchen Fire Extinguisher



Class K Fires are fires that involve cooking oils, grease or animal fat and can be extinguished using wet chemical, the typical agent found in kitchen fire extinguishers.

Features

- Simple operation and maintenance
- Wide angle, soft discharge spray pattern
- Natural polished stainless steel body
- Easily rechargeable
- Specially designed nozzle ensuring user's safety



Technical Specification

MODEL	LG-154	LG-156	LG-159
Capacity	4 Ltr	6 Ltr	9 Ltr
Working Temperature	+5°C to +55°C	+5°C to +55°C	+5°C to +55°C
Cylinder Testing Pressure	35 bar	35 bar	35 bar
Service Pressure	12 bar	12 bar	12 bar
Filling Tolerance	0,(-)5% by volume	0,(-)5% by volume	0,(-)5% by volume
Min. Effective Discharge Time	13 Seconds (Minimum)	13 Seconds (Minimum)	13 Seconds (Minimum)
Charge	Wet Chemical	Wet Chemical	Wet Chemical
Propellant	Nitrogen	Nitrogen	Nitrogen
Suitable Class of Fire	Class A, Class K (Vegetable Oil, Animal Fat, Cooking Oil & Grease)		

Yet another revolutionary product added to the range of LIFEGUARD providing complete solution for fire fighting, provides solution for extinguishing Kitchen fire.

'D' Class Powder Portable Fire Extinguisher

Technical Specification

MODEL	LG-126D	LG-129D
Capacity	6 Kg.	9 Kg.
Working Temperature	+5°C to +55°C	+5°C to +55°C
Cylinder Testing Pressure	35 bar	35 bar
Service Pressure	12 bar	12 bar
Filling Tolerance	0,(-)5% by volume	0,(-)5% by volume
Min. Effective Discharge Time	13 Seconds (Minimum)	13 Seconds (Minimum)
Charge	Special D Class Powder	Special D Class Powder
Propellant	Nitrogen	Nitrogen

Specially Designed Applicator Nozzle to extinguish metal fire from safe distance.

D type fire extinguishers contains blended sodium chloride based dry powder heat from fire causes it to cake and form a crust excluding air and dissipating heat from burning metal.





Controlled Discharge
for Wheeled Fire Extinguisher

Carbon Di-oxide Portable &
Wheeled Fire Extinguisher



Technical Specification

MODEL	PORTABLE			TROLLEY MOUNTED			
	LG-132	LG-133	LG-134	LG-336	LG-339	LG-3322	LG-3345
Conforming IS Specn.	15683	15683	15683	16018	16018	16018	16018
Capacity (Kg)	2	3	4.5	6.5	9	22.5	45
Filling Ratio	0.667	0.667	0.667	0.667	0.667	0.667	0.667
Type of Extinguisher	CO ₂ Type	CO ₂ Type	CO ₂ Type	CO ₂ Type	CO ₂ Type	CO ₂ Type	CO ₂ Type
Type of Extinguishing Media	CO ₂ Gas	CO ₂ Gas	CO ₂ Gas	CO ₂ Gas	CO ₂ Gas	CO ₂ Gas	CO ₂ Gas
Expellant	Self	Self	Self	Self	Self	Self	Self
Min. Effective Discharge (%)	95	95	95	95	95	95	95
Min. Discharge Time (Sec.)	More than 8	More than 8	More than 8	More than 15	More than 15	More than 15	More than 15
Min. Throw (mtr.)	1	1	2	-	-	-	-
Operating Position	Upright	Upright	Upright	Upright	Upright	Upright	Upright
Operating Valve (IS 3224)	Wheel / Squeeze Grip Type	Wheel / Squeeze Grip Type	Wheel / Squeeze Grip Type	Wheel Type	Wheel Type	Wheel Type	Wheel Type
Operating Temperature Range (°C)	(-)30 to (+)60	(-)30 to (+)60	(-)30 to (+)60	(-)5 to (+)55	(-)5 to (+)55	(-)5 to (+)55	(-)5 to (+)55
Fire Rating	21B, C	34B, C	55B, C	55B	70B	89B	89B

Application :-

Also Available in Light Weight Aluminium Body for Portable Extinguishers

Class B Fire : Petroleum, Oil, Diesel, Paint, Varnish, Solvent, Aviation Fuel, Flammable and volatile liquids etc.

Class C Fire : Flammable Gases, Live electrical Equipments, Industrial Gases, Electrical Installation and Server Room etc.

Also available in 45 kgs as per IS:16018 standard



CO₂ Gas Cartridge for Fire Extinguishers

MODEL	LG-2506	LG-2512	LG-2520	LG-2530
Capacity (in gms)	60	120	200	300
IS Specification No.	4947	4947	4947	4947
Complete Wt Empty (in gms) Approx.	530	810	980	1240
Complete Wt. Charged (in gms)	590	930	1180	1540
Working Pressure at 27±2°C (Kgf/cm ²)	140	140	140	140
Hydraulic Test Pressure (kgf/cm ²)	250	250	250	250
Dia of Pipe (in mm)	45	51	51	51
Overall Height (in mm)	151	181	245	350



**Wheeled Water/Foam
Fire Extinguisher**

IS-16018



CM/L-8765605



Water Controlled Discharge



Foam Controlled Discharge



LG-1045



LG-1145



LG-2145



LG-3145

Technical Specification

MODEL	WATER			FOAM		
	LG-1020 LG-2020 LG-3020	LG-1045 LG-2045 LG-3045	LG-1060 LG-2060 LG-3060	LG-1120 LG-2120 LG-3120	LG-1145 LG-2145 LG-3145	LG-1160 LG-2160 LG-3160
	Conforming IS Specn.	16018	16018	16018	16018	16018
Capacity (Ltr.)	20	45	60	20	45	60
Type of Fire	A Class	A Class	A Class	A & B Class	A & B Class	A & B Class
Type of Extinguisher	Water Type	Water Type	Water Type	Mechanical foam type	Mechanical foam type	Mechanical foam type
Type of Extinguishing Media	Soft Water	Soft Water	Soft Water	Water & Aff (3 Ltrs. of 6% Concentrate)	Water & Aff (3 Ltrs. of 6% Concentrate)	Water & Aff (3 Ltrs. of 6% Concentrate)
Expellant	N ₂ Gas Pressure / Internal CO ₂ Gas Cartridge 300gm (IS 4947) / External CO ₂ Gas Cartridge 2 Kg	N ₂ Gas Pressure / Internal CO ₂ Gas Cartridge 300gm (IS 4947) / External CO ₂ Gas Cartridge 2 Kg	N ₂ Gas Pressure / Internal CO ₂ Gas Cartridge 300gm (IS 4947) / External CO ₂ Gas Cartridge 2 Kg	N ₂ Gas Pressure / Internal CO ₂ Gas Cartridge 300gm (IS 4947) / External CO ₂ Gas Cartridge 2 Kg	N ₂ Gas Pressure / Internal CO ₂ Gas Cartridge 300gm (IS 4947) / External CO ₂ Gas Cartridge 2 Kg	N ₂ Gas Pressure / Internal CO ₂ Gas Cartridge 300gm (IS 4947) / External CO ₂ Gas Cartridge 2 Kg
Min. Effective Discharge (%)	90	90	90	90	90	90
Min. Jet Length (mtrs.)	6	6	6	6	6	6
Discharge Time (Sec.)	More than 30	More than 30	More than 30	More than 30	More than 30	More than 30
Hydraulic Test Pressure (kgf/cm ²)	30	30	30	30	30	30
Operating Position	Upright	Upright	Upright	Upright	Upright	UPRIGHT
Operating Temperature Range (°C)	+5 to +55	+5 to +55	+5 to +55	+5 to +55	+5 to +55	+5 TO +55
Fire Rating	20A	20A	20A	20A, 233B	20A, 233B	20A, 233B

Also available in UL Listed AFFF Chemical

Water/Foam Wheeled Extinguishers also Available in 125 Litres

Application :-

Class A Fire : Wood, Textiles, Paper, Plastic, Cloths, Cotton Mill, Jute Mill etc.

Class B Fire : Petroleum, Oil, Diesel, Paint, Varnish, Solvent, Aviation Fuel, Flammable and volatile liquids etc.

Caution : Do not use on Electrical Fire / Installation



Controlled Discharge

Wheeled Powder Fire Extinguisher



LG-1225

LG-2225

LG-3225

LG-3250

LG-3275

Technical Specification

MODEL	LG-1225	LG-2225	LG-3225	LG-1250	LG-3250	LG-3275
Conforming IS Specn.	16018	16018	16018	16018	16018	16018
Capacity (Ltr.)	25	25	25	50	50	75
Type of Fire	BC / ABC	BC/ABC	BC/ABC	BC / ABC	BC / ABC	BC / ABC
Type of Extinguisher	Dry Powder Type	Dry Powder Type	Dry Powder Type	Dry Powder Type	Dry Powder Type	Dry Powder Type
Type of Extinguishing Media	Dry Chemical Powder	Dry Chemical Powder	Dry Chemical Powder	Dry Chemical Powder	Dry Chemical Powder	Dry Chemical Powder
Expellant	N ₂ Gas Pressure	Internal CO ₂ Gas Cartridge (300gm (IS 4947))	External CO ₂ Gas Cartridge 2Kg	N ₂ Gas Pressure	External CO ₂ Gas Cartridge 2 Kg	External CO ₂ Gas Cartridge 2 Kg
Min. Effective Discharge (%)	85	85	85	85	85	85
Min. Jet Length (mtrs.)	6	6	6	6	6	6
Discharge Time (Sec.)	More than 30	More than 30	More than 30	More than 30	More than 30	More than 30
Hydraulic Test Pressure (kgf/cm ²)	30	30	30	30	30	30
Operating Position	Upright	Upright	Upright	Upright	Upright	Upright
Operating Temperature Range (°C)	(-)5 to (+)55	(-)5 to (+)55	(-)5 to (+)55	(-)5 to (+)55	(-)5 to (+)55	(-)5 to (+)55
Fire Rating	20A, 233B	20A, 233B	20A, 233B	20A, 233B	20A, 233B	20A, 233B

Also available in UL Listed Powder

Available capacities may be customized

Application :-

Class A Fire : Wood, Textiles, Paper, Plastic, Cloths, Cotton Mill, Jute Mill etc.

Class B Fire : Petroleum, Oil, Diesel, Paint, Varnish, Solvent, Aviation Fuel, Flammable and volatile liquids etc.

Class C Fire : Flammable Gases, Live Electrical Equipments, Industrial Gases, Electrical Installation, Power Grid etc..

**Wheeled Water Mist System & CAFS
(Compressed Air Foam System)**

IS-16018

CM/L-8765605



LG-3645



Technical Specification

MODEL	LG-3645
Extinguishing Agent Tank	
Conforming IS Specn.	16018
Filling Capacity	45 Litres
Material	Stainless Steel / Mild Steel
Working Pressure	
Pressure	8.0-9.0 Bar
Propellant Gas Bottle	
Medium	Compressed Air
Pressure Cylinder	Cylinder
Filling Pressure	300 bar
Volume	6.8 Litres
Technical Parameters	
Operating Time	More than 30 Seconds
Operating Temperature	+5°C to +55°C
Carrying Device	Ergonomically Shaped
Extinguishing Gun	
Changeover Time	Appr. 3 Sec (Jet to spray mode)
Lancing Distance	≥ 15m jet mode
Ratings (Extinguishing Performance)	
A Fire Class	6A
B Fire Class	233 B

Backpack Water Mist System &
CAFS (Compressed Air Foam System)

EN3



LG-3609



LG-3615

Technical Specification

MODEL	LG-3609	LG-3615
Extinguishing Agent Tank		
Filling Capacity	9 Litres	15 Litres
Material	Stainless Steel	Stainless Steel
Working Pressure		
Pressure	7.5 Bar	7.5 Bar
Propellant Gas Bottle		
Medium	Compressed Air	Compressed Air
Pressure Cylinder	Cylinder	Cylinder
Filling Pressure	300 bar	300 bar
Volume	2 Litres	4.7 Litres
Technical Parameters		
Operating Time	Appr. 35 Sec	Appr. 44 Sec
Flow Rate	24 litres/min	24 litres/min
Operating Temperature	+5°C; Tmax + 60°C	+5°C; Tmax + 60°C
Carrying Device	Ergonomically Shaped	Ergonomically Shaped
Extinguishing Gun		
Changeover Time	Appr. 3 Sec (Jet to spray mode)	Appr. 3 Sec (Jet to spray mode)
Lancing Distance	Appr. 13-16m jet mode Appr. 6-7m spray mode	Appr. 13-16m jet mode Appr. 6-7m spray mode
Ratings (Extinguishing Performance)		
A Fire Class	55 A (as per EN3)	55 A (as per EN3)
B Fire Class	233 B (as per EN3)	233 B (as per EN3)
Dimensions		
Weight Empty (with the gas bottle & Valve)	28 kg	33 kg

NOTE : **LG-3615** comes with an option of Breathing Apparatus Set which is useful to provide support to respiration while fighting fire.

First-Aid Hose Reel

IS-884

CM/L-3202027



LG-421



Shut-off Nozzle
LG-421A



Thermoplastic Hose Pipe
LG-421B

Technical Specifications

Type : Swinging 180° Wall Mounting
Size : Inlet 20mm (¾" BSP Thread Size)
Conforming Specification : IS 884

Material of Construction :

- Hub Sides & Wall Bracket - M.S. Sheet of IS:513
- Swivel Joint - LTB-2 of IS:318
- Pipe with Fitting - Steel of IS:1239 Part I
- Branch Pipe with Nozzle - IS:8090
- Hose Reel Tubing - Thermoplastic Hose (IS:12585)
Rubber Hose (IS:444)

Performance Test

- Hydrostatic Test : Tested at 21 Kgf/cm²
- Range & Water Flow rate test at 7 Kgf/cm²
 - (A) Discharge : 24LPM
 - (B) Range (Jet Length) : 6mtr(min)

Compact Type Hose Reel



LG-421D

Specifications

Size : Inlet 20mm (¾" BSP Thread Size)

Performance Test

- Hydrostatic Test : Tested at 21 Kgf/cm²
- Range & Water Flow rate test at 7 Kgf/cm²
 - (A) Discharge : 24LPM
 - (B) Range (Jet Length) : 6mtr(min)

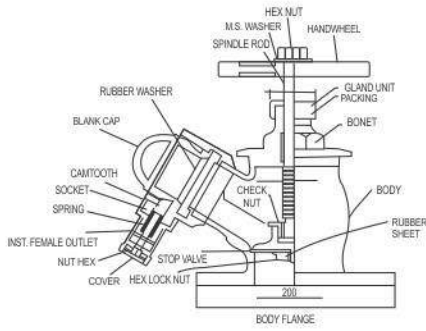
Features

- Corrosion Free
- Powder Coated
- Light Weight
- IS:12585 Hose Reel Pipe with Bursting Pressure 14kg/cm²
- Hydraulically clamped CE Marked Nozzle

Landing Valve (Type-A)

IS-5290

CM/L-3201227



Gun Metal
LG-401



Stainless Steel
LG-402

Type of Material	Gun Metal	Stainless Steel
Model No.	LG-401/LG-406	LG-402/LG-407
Flow (LPM)	900/1800	900/1800
Water Tightness Pressure	14 Kg/cm ²	14 Kg/cm ²
Hydrostatic Pressure	21 Kg/cm ²	21 Kg/cm ²
Inlet Diameter	75mm / 100mm	75mm / 100mm
Outlet	63mm	63mm

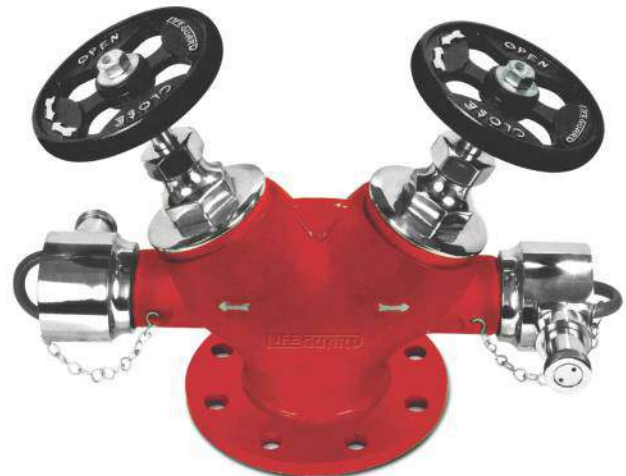
Landing Valve (Type-B)

IS-5290

CM/L-3201227



Gun Metal
LG-406



Stainless Steel
LG-407

Fire Hose Delivery Coupling

IS-903

CM/L-3201328



Gun Metal
LG-416



Stainless Steel
LG-417



Aluminum
LG-418

Type of Material	Gun Metal	Stainless Steel	Aluminum
Model No.	LG-416	LG-417	LG-418
Size	63mm	63mm	63mm
Hydrostatic Pressure	21 kgf/cm ²	21 kgf/cm ²	21 kgf/cm ²

Branch Pipe & Nozzle

IS-903

CM/L-3201328



Gun Metal
LG-411



Stainless Steel
LG-412



Aluminum
LG-413

Type of Material	Gun Metal	Stainless Steel	Aluminum
Model No.	LG-411	LG-412	LG-413
Size	63mm	63mm	63mm
Nozzle Size	12mm / 15mm	12mm / 15mm	12mm / 15mm
Hydrostatic Pressure	21kgf/cm ²	21kgf/cm ²	21kgf/cm ²

Mobile Foam Unit



LG-527

TECHNICAL DETAILS

- Working pressure : 7kgf/cm² to 10kgf/cm²
- Max allowable back pressure : 65% of inlet pressure.
- Hydraulic test pressure : 25kgf/cm² for 5 minutes.
- Inductor : 3% or 6% fixed type
- Inlet / Outlet : Optional : Variable Type 63mm instantaneous Male GM/SS Coupling
- Dip Tube : SS 304
- Pickup Tube : PVC Braided Flexible Hose

Available in SS, MS & FRP

It is a self contained Mobile Foam Unit for rapid deployment of foam extinguishing agent to fire in chemical spills where water (in most cases) proves ineffective in quenching hydro carbon liquid based fires in petroleum, chemical and other similar industries. This compact ready for action equipment consist of foam tank inductor, branch pipe and fire hoses ready to plugin to a suitable water supply.

Fire Hose



LG-422A



LG-422B



LG-422H

Technical Specification

Type of Material	R.R.L. Hose Type A	Synthetic Hose Type B	C.P. Hose
MODEL No.	LG-422A	LG-422B	LG-422H
Inside (inches)	2.5	2.5	2.5
Dia (mm)	63	63	63
Bursting Pressure (kgf/cm ²)	21.4	25	21.4
Proof Pressure (kgf/cm ²)	35.7	42	35.7

(Also available UL Listed Fire Hose)

Water / Foam Monitor



LG-522 A
Aqua Foam Nozzle



LG-504 FB-10X



LG-505 FB-5X



LG-526 0063



LG-526 1075



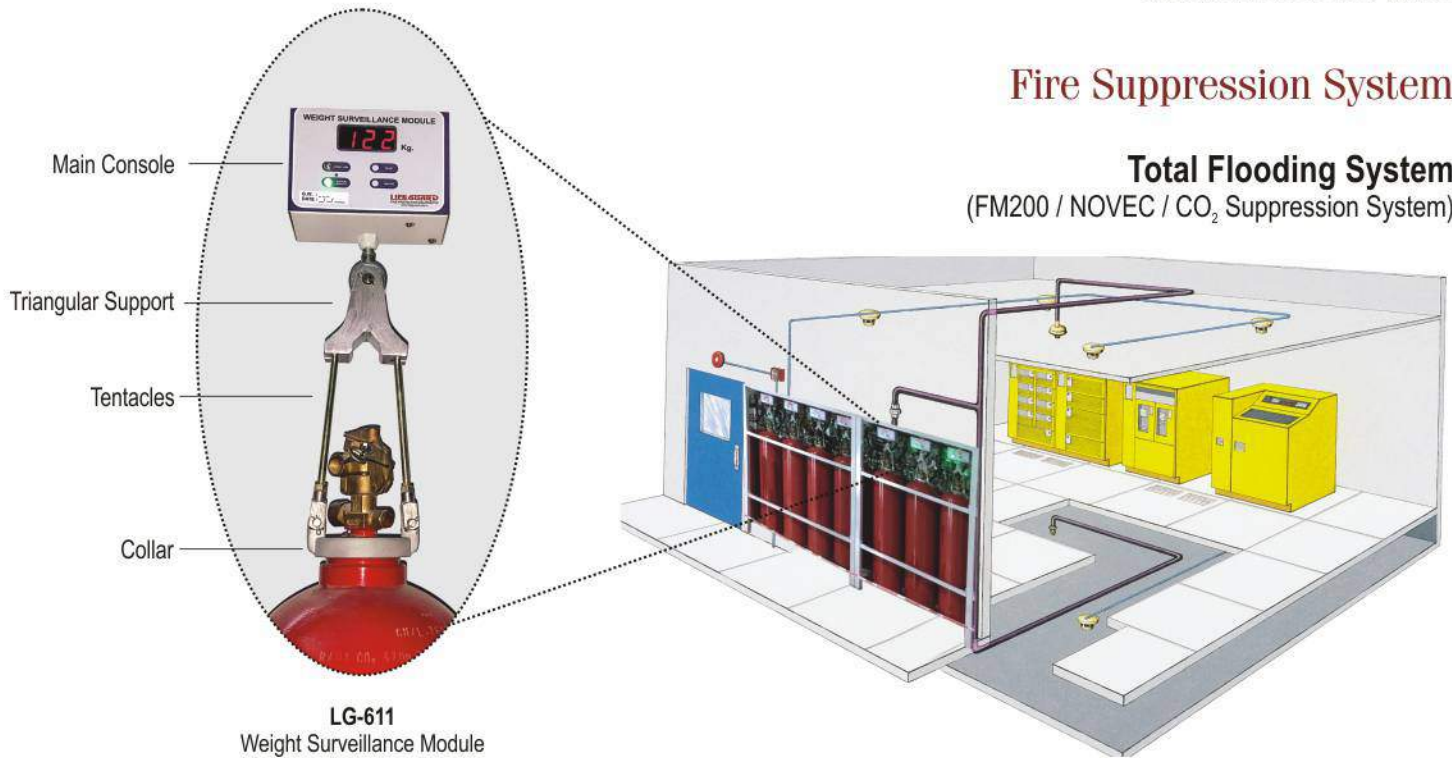
LG-526 1100

Technical Specification

MODEL	LG-526 0063	LG-526 1075	LG-526 1100
Material	Carbon Steel	Carbon Steel	Carbon Steel
Maximum Operating Pressure	12 Bar (175 PSI)	12 Bar (175 PSI)	12 Bar (175 PSI)
Flow Rate	1750 LPM @ 7 Bar	2580 LPM @ 7 Bar	3750 LPM @ 7 Bar
Throw Range	55 Meters, Projection Angle : 30°	62 Meters, Projection Angle : 30°	67 Meters, Projection Angle : 30°
Inlet Flange	Flanged to IS:1538 100 NB (4") Raised Flange ANSI B 16.5 150 LBS	Flanged 100 NB (4") Raised Flange ANSI B 16.5 150 LBS	Flanged 100 NB (4") Raised Flange ANSI B 16.5 150 LBS
Monitor Outlet	2.5" Water way / Male BSP Thread Nozzle : Jet / Jet - Spray	3" Water way with Jet Spray / Aqua Foam Nozzle with Pickup Tube	4" Water way with Jet Spray / Aqua Foam Nozzle with Pickup Tube
Barrel Size / Nozzle Bore Dia NB	63/32	75/38	100/45
Monitor Movement	Vertical Movement - Manual Swivel Operation With Lock Horizontal Movement - Manual Swivel Operation With Lock	Vertical Movement - Manual Swivel Operation With Lock Horizontal Movement - Manual Swivel Operation With Lock	Vertical Movement - Geared Swivel Joint With Self Locking Horizontal Movement - Geared Swivel Joint With Self Locking
Hydrostatic Test Pressure	25 Bar	25 Bar	25 Bar
Monitor Rotation	360° continuous	360° continuous	360° continuous
Monitor Elevation	(+)90° above horizontal (-)45° below horizontal	(+)90° above horizontal (-)45° below horizontal	(+)90° above horizontal (-)45° below horizontal
Finish	Red Polyurethane	Red Polyurethane	Red Polyurethane
Ordering Information	Please Specify Monitor Model, Flange Connection, Nozzle Model & Flow rate	Please Specify Monitor Model, Flange Connection, Nozzle Model & Flow rate	Please Specify Monitor Model, Flange Connection, Nozzle Model & Flow rate

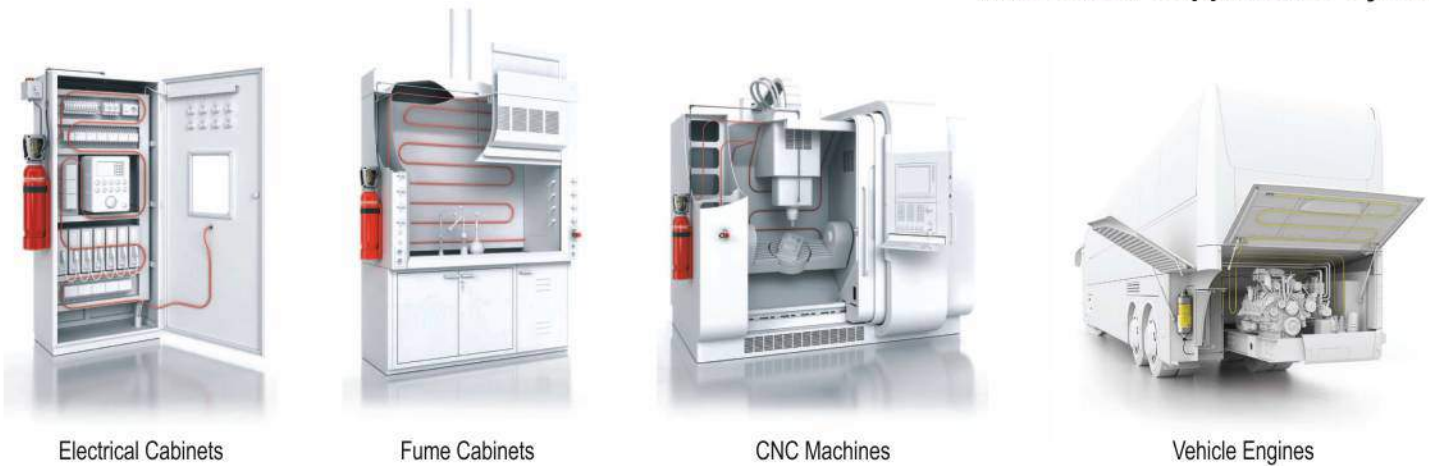
Fire Suppression System

Total Flooding System (FM200 / NOVEC / CO₂ Suppression System)



LG-611
Weight Surveillance Module

Tube Based Suppression System



Electrical Cabinets

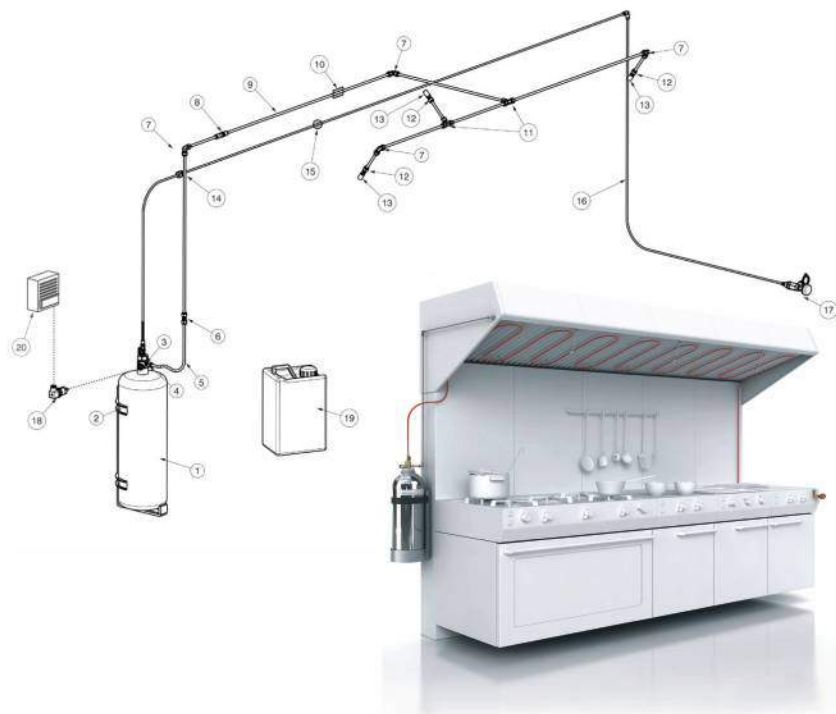
Fume Cabinets

CNC Machines

Vehicle Engines

Kitchen Hood Fire Extinguishing System

S. No.	Qty	Description
1	1	ILP cylinder / valve assembly 9 Liter (not filled)
2	1	Cylinder bracket
3	1	Gasket
4	1	Tube fitting (nickel plated)
5	1	Steel hose
6	1	Tube fitting - straight union
7	4	Tube fitting - Elbow
8	1	Cross panel-fitting
9	6	Stainless steel tubing (1m)
10	4	Pipe bracket (Ø8mm)
11	2	Tube fitting - Tee
12	3	Tube fitting - straight G 1/4"
13	3	Nozzle
14	1	Cross panel-fitting
15	20	Screw clips for tube attachment
16	1	LIFEGUARD Tube red (10m)
17	1	Manuel release device
18	1	Pressure switch
19	1	LIFEGUARD suppression agent
Optional		
20	1	Alarm Box



Fire Detection System



LG-545 IV
Fire Control Panel

LG-545 II
Fire Control Panel



LG-521SD
Smoke Detector



LG-521MD
Multi Detector



LG-521HD
Heat Detector



LG-520A
MCB



LG-520B
Hooter



LG-520C
Response Indicator

STANDARD FEATURES

- Complies to IS 2189:1999 and Tested by ERTL (N).
- 2 x 16 character backlit LCD display.
- 2 Wire Communication facility via RS 485 Port. (For Repeater Panel) (optional)
- Lamp test features.
- Complete with integral power supply and battery charger for SMF battery.
- NO/NC contacts for both fire and fault.
- Switches to enable on board operation.
- LCD and LED Indication for open, short circuit, Isolate, Fire in each zone.
- Maximum nos. of Detectors in each zone is 25

Control Panel also available in 6 Zone, 8 Zone, 12 Zone, 24 Zone, 36 Zone and can be customized.

Emergency Light

IN CASE OF EMERGENCY, THE LED ENLIGHTENS THE PATHWAY TO BE FOLLOWED



LG-641



Side View

Features :

- Energy efficient & high intensity LEDs
- Prolonged service life
- Trickle charging
- Minimum maintenance
- Optimum utility
- Smooth operation
- Off white powder coated finishing

Technical Specification

M.O.C.	Mild Steel
DIMENSIONS (in mm)	330 x 200 x 125
GROSS WEIGHT	5.00 Kg approx.
INPUT VOLTAGE	220 Volt
CHARGING TIME	10 hours approx.
OPERATING TIME (on Battery)	3.5 hours approx.
BATTERY	7 Amph

Application :-

- Disaster management
- Construction Sites
- No power zone area
- Hospitals / Nursing Homes
- Hotels
- Residential Areas
- Camps
- Theaters
- Corporate Offices
- Airports
- Railway Stations
- Shopping Malls

Egress Edgelit Light

LG-642



Features :

- Red LED indication on charging
- Constant Voltage Charging
- Fully Electronic, no moving part
- Reduced maintenance & installation cost
- Easy Read out
- As per IS 9583:1981

Technical Specification

MODEL	LG 642
INPUT POWER	12V D.C.
CHARGING CURRENT	60mA
M.O.C.	Aluminium / Acrylic
COLOR	WHITE / GREY
DIMENSION	300mm x 125mm / As per requirement
BATTERY	12 Volts

Photoluminescent Signages

LG-528-01	EXIT	LADIES TOILET	LG-528-11	EXIT	FIRE EXTINGUISHER	LG-528-16
LG-528-02	FIRE EXIT	GENTS TOILET	LG-528-12	NO PARKING	INFORMATION	LG-528-17
LG-528-03	EXIT	FIRE EXIT	LG-528-13	NO SPITTING	NO ENTRY	LG-528-18
LG-528-04	निकास EXIT	EXIT	LG-528-14	NO SMOKING	PARKING	LG-528-19
LG-528-05	WASH YOUR HANDS	FIRE ALARM	LG-528-15	PHONE	FIRST AID	LG-528-20

Customization can be done as per requirement



LG-528 Glow Signages

Self Triggered Stand Alone Type Fire Extinguisher



(Automatic Modular Type Fire Extinguisher)

Technical Specification

CAPACITY in kg.	2kg Capacity	5kg Capacity	10kg Capacity	15kg Capacity
MODEL	LG-1602/LG-1702	LG-1605/LG-1705	LG-1610/LG-1710	LG-1615/LG-1715
Media	ABC Powder/Clean Agent	ABC Powder/Clean Agent	ABC Powder/Clean Agent	ABC Powder/Clean Agent
Area Coverage	2-3m ² Approx.	3-4m ² Approx.	5-7m ² Approx.	8-10m ² Approx.
Test Pressure	30 kgf/cm ²	30 kgf/cm ²	30 kgf/cm ²	30 kgf/cm ²
Anti Corrosive Treatment	Powder Coated	Powder Coated	Powder Coated	Powder Coated
Shell Diameter	175mm ±5%	240mm ±5%	300mm ±5%	405mm ±5%
Overall Height	185mm±25%	265mm±25%	350mm±25%	255mm±25%
Charged Weight	3.5 kg approx.	7.5 kg approx.	13.5 kg approx.	20.5 kg approx.
Bulb Temperature	56-107 degrees	56-107 degrees	56-107 degrees	56-107 degrees
Charged Pressure	15 kgf/cm ²	15 kgf/cm ²	15 kgf/cm ²	15 kgf/cm ²
Operational time in seconds	5-7	8-10	10-15	18-24
Mounting	Ceiling Mounting Type	Ceiling Mounting Type	Ceiling Mounting Type	Ceiling Mounting Type



LIFEGUARD®

FIRE PROTECTION EQUIPMENTS

AUTOMATIC SPRINKLER HEADS (ISI MARKED)

Technical Data (Sprinkler Head)

Approval :	Bureau of Indian Standards (IS 9972:2002)
Minimum Operating Pressure :	7 psi (0.5 bar)
Maximum Working Pressure :	175 psi (12 bar)
Factory tested hydrostatically to	30 bar
Thread size :	1/2" BSP
Nominal Bore or Orifice size :	15mm
Nominal K-Factor or Discharge coefficient :	80±4

IS-9972

 CML-8700104711



Pendent Type

LG-503B



Sidewall Type

LG-503F



Upright Type

LG-503D

LIGHT WEIGHT ALUMINUM CARBON DIOXIDE PORTABLE FIRE EXTINGUISHER

Technical Specification

MODEL	PORTABLE	
	LG-132 AL	LG-134 AL
Conforming IS Specn.	15683	15683
Capacity (Kg)	2	4.5
Filling Ratio	0.667	0.667
Type of Extinguisher	CO ₂ Type	CO ₂ Type
Type of Extinguishing Media	CO ₂ Gas	CO ₂ Gas
Expellant	Self	Self
Min. Effective Discharge (%)	95	95
Min. Discharge Time (Sec.)	More than 8	More than 9
Min. Throw (mtr.)	2	2
Operating Position	Upright	Upright
Operating Valve (IS 3224)	Wheel / Squeeze Grip Type	Wheel / Squeeze Grip Type
Operating Temperature Range (°C)	(-)30 to (+)60	(-)30 to (+)60
Fire Rating	21B, C	55B, C



IS-15683

 CML-8633079



LG-132 AL (21B, C)



LG-134 AL (55B, C)

APPLICATION: FOR USE AS LIGHT WEIGHT CYLINDERS TO MAKE EASY CARRYING AND OPERATION, IT CAN ALSO BE CUSTOMIZED FOR FIRE PROTECTION IN MRI ROOMS.



MANUFACTURED BY :
UNITED FIRE EQUIPMENTS PVT. LTD.
 (AN ISO 9001:2015 CERTIFIED COMPANY)
 New Delhi - 110 034

Email : ufe126@gmail.com
 Web : www.lifeguardindia.in

LIFEGUARD®

FIRE PROTECTION EQUIPMENTS

IS-15683



CM/L-8633079



WATERMIST PORTABLE FIRE EXTINGUISHER

Technical Specification

MODEL	PORTABLE		
	LG-164	LG-166	LG-169
Capacity (Ltr.)	4	6	9
Anti-Corrosive Inhibitor	Epoxy Polyester Powder Coating	Epoxy Polyester Powder Coating	Epoxy Polyester Powder Coating
Confirming IS Code	15683	15683	15683
Type of Extinguisher	Constant Pressure	Constant Pressure	Constant Pressure
Type of Extinguishing Media	Soft Water with Additives	Soft Water with Additives	Soft Water with Additives
Expellant	Pressurized with N ₂ gas	Pressurized with N ₂ gas	Pressurized with N ₂ gas
Min. Effective Discharge (%)	95	95	95
Min. Jet Length (mtrs.)	More than 2 mtr.	More than 2 mtr.	More than 2 mtr.
Discharge Time (Sec.)	More than 13 Sec.	More than 13 Sec.	More than 13 Sec.
Hydraulic Test Pressure (kgf/cm ²)	35	35	35
Operating Position	Upright	Upright	Upright
Charged Pressure (kgf/cm ²)	15	15	15
Operating Temperature Range (°C)	(+)5°C to (+)60°C	(+)5°C to (+)60°C	(+)5°C to (+)60°C
Operating Valve	Squeeze Grip Type with Discharge hose & Special Nozzle	Squeeze Grip Type with Discharge hose & Special Nozzle	Squeeze Grip Type with Discharge hose & Special Nozzle
Fire Rating	2 A, 55B, 15 F, C	3 A, 113 B, 25 F, C	3 A, 183 B, 75 F, C

APPLICATION:

1. CAN BE USED ON MULTIPLE CLASSES OF FIRE.
2. CAN BE USED ON FIRES INVOLVING LIVE ENERGIZED EQUIPMENT.
3. TESTED AT 35000 VOLTS.



LG-164 / LG-166 / LG-169

KITCHEN PORTABLE FIRE EXTINGUISHER

Technical Specification

MODEL	PORTABLE		
	LG-154	LG-156	LG-159
Capacity (Ltr.)	4	6	9
Body	Stainless Steel Body	Stainless Steel Body	Stainless Steel Body
Confirming IS Code	15683	15683	15683
Type of Extinguisher	Constant Pressure	Constant Pressure	Constant Pressure
Type of Extinguishing Media	Wet Chemical	Wet Chemical	Wet Chemical
Expellant	Pressurized with N ₂ gas	Pressurized with N ₂ gas	Pressurized with N ₂ gas
Min. Effective Discharge (%)	95	95	95
Min. Jet Length (mtrs.)	More than 2 mtr.	More than 2 mtr.	More than 2 mtr.
Discharge Time (Sec.)	More than 13 Sec.	More than 13 Sec.	More than 13 Sec.
Hydraulic Test Pressure (kgf/cm ²)	35	35	35
Operating Position	Upright	Upright	Upright
Charged Pressure (kgf/cm ²)	15	15	15
Operating Temperature Range (°C)	(+)5°C to (+)60°C	(+)5°C to (+)60°C	(+)5°C to (+)60°C
Operating Valve	Squeeze Grip Type with Discharge hose & Special Nozzle	Squeeze Grip Type with Discharge hose & Special Nozzle	Squeeze Grip Type with Discharge hose & Special Nozzle
Fire Rating	15 F	25 F	75 F



LG-154 / LG-156 / LG-159

IS-15683



CM/L-8633079



MANUFACTURED BY :

UNITED FIRE EQUIPMENTS PVT. LTD.

(AN ISO 9001:2015 CERTIFIED COMPANY)

New Delhi - 110 034

Email : ufe126@gmail.comWeb : www.lifeguardindia.in

Accessories



A

LG-501
Hose Box



B



A



B

LG-534
Fire Extinguisher Stand



LG-535
Fire Blanket



LG-538
Fire Man Axe



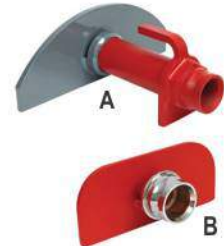
4 Way
LG-423A



2 Way
LG-423B
Collecting Heads



LG-502
G.M. Draw out Connection



LG-516
Jumbo Water Curtain Nozzle



LG-522
Hand Control Fast Action Nozzle



LG-530
Fire Hook



LG-531
Fire Beater



LG-533
Rope Ladder

CHEMICAL BAGS



IS:4989
AFFF Refills
LG-551



IS:4308
Dry Powder (BC)
LG-552



IS:14609
Dry Powder (ABC)
LG-553

Accessories



LG-540
Flexible Hose Pipe for Sprinklers



LG-537
High/Medium Velocity Nozzle



LG-503
Sprinklers



LG-541
Water Curtain Nozzle



A **B**
LG-506
Dividing Branching



LG-507
Suction Strainer



LG-508
Foot Valve Strainer



LG-509
Suction Coupling



LG-510
Revolving Branch



LG-511
Fog Nozzle



LG-512
Triple Purpose Nozzle



LG-513
Double Male



LG-514
Double Female

Accessories



LG-515
Gun Metal Adaptor



LG-517
Air Release Valve



LG-549
Fire Rescue Kit



LG-518
Electric Siren



LG-519
Manual Siren (Hand Operated)



LG-543
Gum Boots



LG-523
Metal Detector



LG-542
Reflective Jacket



LG-524
Fire man Helmet



LG-544
Hose Binding Machine



LG-525
Fire Bucket



LG-525 A
Fire Bucket Stand

LIFEGUARD

FIRE PROTECTION EQUIPMENTS

Clintele

 बी एच ई एल BHEL	 Bharat Petroleum	 Cairn	 EIL	 गैल GAIL	 एन एच पी सी NHPC
 IGL INDRAPRASTHA GAS LIMITED	 इंडियनऑयल IndianOil	 ipgcl Indraprastha Power Generation Co. Ltd.	 KARNATAKA POWER CORPORATION LTD KPCL	 महाराष्ट्र पावर ट्रांसमिशन कॉर्पोरेशन लिमिटेड MPPTCL	 पावरग्रिड
 एन टी पी सी NTPC	 ओ एन जी सी ONGC ऑयल एंड गैस कर्पोरेशन लिमिटेड	 पारदीप पोर्ट ट्रस्ट	 पंजाब पावर कॉर्पोरेशन लिमिटेड PPCL	 HPGCL Rajiv Gandhi Thermal Power Plant	 सेल SAIL
 DAMODAR VALLEY CORPORATION दामोदर घाटी निगम	 VIZAG STEEL Pride of Steel A Navratna Company	 नालको NALCO	 CIDCO WE MAKE CITIES	 महाडा MHADA	 बी एंड आर BAND R
 DLF	 Godrej	 TAJ Hotels Resorts and Palaces	 WESTIN HOTELS & RESORTS	 Sheraton New Delhi HOTEL	 MARRIOTT
 SAMSUNG	 OMAXE Turning dreams into reality	 SRS Enduring quality and trust.	 LARSEN & TOUBRO	 adani	 MIDHANI
 CPWD	 DSIIDC	 NDME नई दिल्ली नगरपालिका परिषद	 INDIAN RAILWAYS	 इंडिया ट्रेड प्रमोशन ऑर्गनाइजेशन India Trade Promotion Organisation	 PUNSUP
 PVR CINEMAS	 Delhi Metro Rail Corporation	 AIIMS	 medanta THE MEDICITY	 NSC	 Airport Authority of India
 DRDE, GWALIOR	 IDRAI DEVELOPMENT AUTHORITY	 MOTHER DAIRY	 HONDA	 JCB	 PWD
 LIC भारतीय जीवन बीमा निगम LIFE INSURANCE CORPORATION OF INDIA	 State Bank of India	 punjab national bank ...the name you can BANK upon!	 ICICI PRUDENTIAL LIFE INSURANCE	 बैंक ऑफ इंडिया Bank of India Relationships beyond banking.	 IndusInd Bank

LIFEGUARD

FIRE PROTECTION EQUIPMENTS



UNITED FIRE EQUIPMENTS PVT. LTD.

AN ISO 9001:2015 CERTIFIED COMPANY

New Delhi - 110 034

www.lifeguardindia.in



CM/L-8765605



We reserve the right to alter specifications without prior notice.
Please refer the latest IS Codes for detailed information.

For Genuine **LIFEGUARD** Brand ISI Mark Fire Fighting Equipments Check Twice "3D" Hologram Sticker & Engraved



Version 1.20